



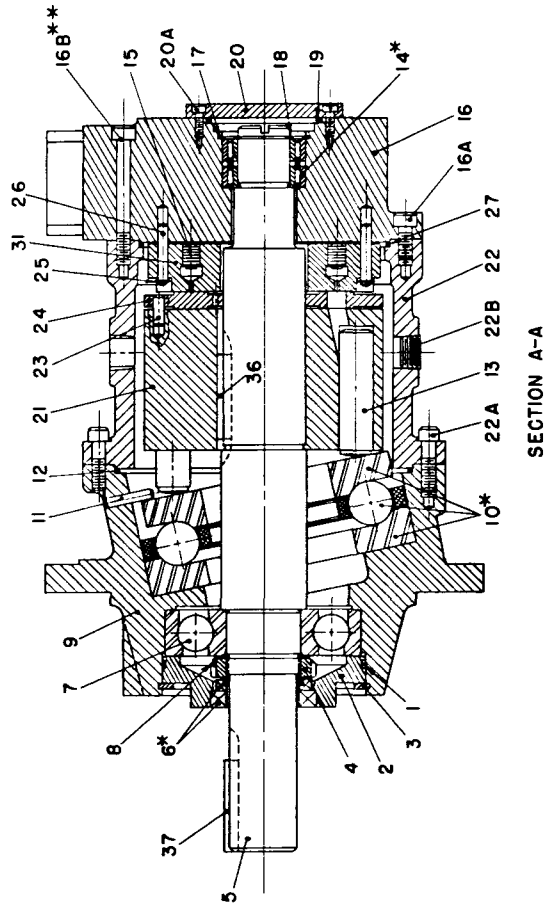
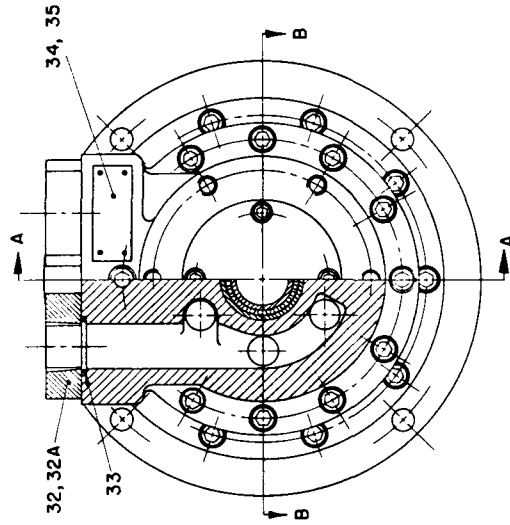
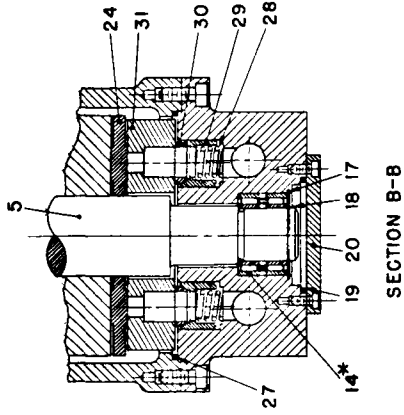
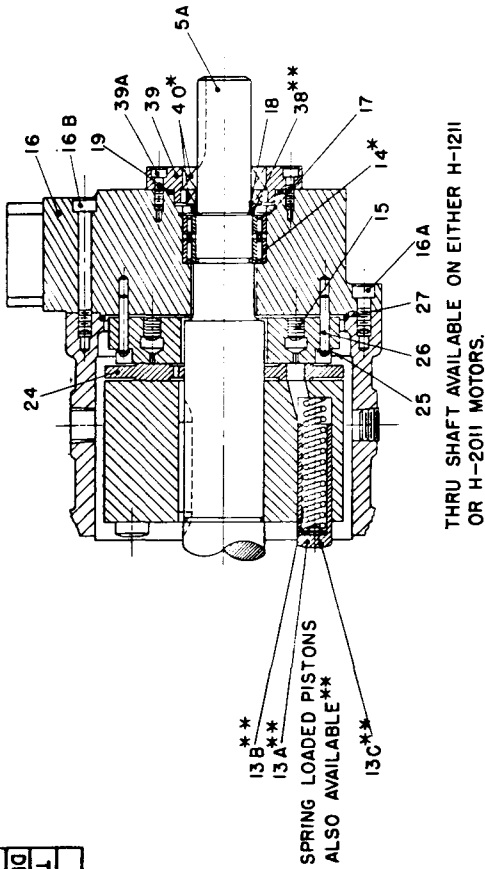
OILGEAR TYPES H-1211 & H-2011 AXIAL PISTON MOTORS

500951
 PARTS DRAWING
 TYPES H-1211 & H-2011 MOTORS
 DR. XY CHC
 APR 20 1955

ISSUED JAN., 1955
 LITHO IN U.S.A.

THE OILGEAR COMPANY
 MILWAUKEE 4, WISCONSIN, U.S.A.

DS-956608



WHEN ORDERING REPLACEMENT PARTS, INCLUDE DATA SHEET NUMBER
 PART NUMBER, AND MOTOR SERIAL NUMBER.
 SPECIFY TYPE OF FLUID FOR O-RINGS AND SEALS.
 * FURNISHED AS AN ASSEMBLY ONLY.

** APPLICABLE TO H-2011 MOTOR ONLY.



PARTS LIST
OILGEAR TYPE H-1211 & H-2011 AXIAL PISTON MOTORS

<u>PART NO.</u>	<u>DESCRIPTION</u>	<u>PART NO.</u>	<u>DESCRIPTION</u>
1.	Packing, O'Ring	20A.	Screw, Sock. Hd. Cap
2.	Gland, Housing	21.	Cylinder, Motor
3.	Ring, Retaining	22.	Case, Motor
4.	Nut, Lock	22A.	Screw, Sock. Hd. Cap
5.	Shaft, Standard Drive	22B.	Plug, Pipe
5A.	Shaft, Special Drive	23.	Pin, Dowel
6.	Assembly, Shaft Seal	24.	Plate, Wear
7.	Bearing, Front Shaft	25.	Ring, Retaining
8.	Washer, Lock	26.	Pin, Locating
9.	Housing, Front Bearing	27.	Packing, O'Ring
10.	Assembly, Thrust Bearing	28.	Spring, Hold-Up Piston
11.	Pin, Dowel	29.	Piston, Hold-Up
12.	Packing, O'Ring	30.	Tumbler, Hold-Up Piston
13.	Piston, Standard	31.	Valve, Flat
13A.	Piston, Special	32.	Flange, Port A & B
13B.	Spring, Piston	32A.	Screw, Sock. Hd. Cap
13C.	Guide, Spring	33.	Packing, O'Ring
14.	Assembly, Rear Bearing	34.	Plate, Name
15.	Piston, Compensating	35.	Screw, Drive
16.	Housing, Rear	36.	Key, Cylinder
16A.	Screw, Sock. Hd. Cap	37.	Key, Coupling
16B.	Screw, Sock. Hd. Cap	38.	Spacer, Seal
17.	Ring, Retaining	39.	Gland, Seal
18.	Ring, Snap	39A.	Screw, Sock. Hd. Cap
19.	Packing, O'Ring	40.	Assembly, Seal
20.	Cover, Rear Housing		

When ordering replacement parts, include Motor serial number, data sheet number and part number. Specify type of Hydraulic Fluid for O'Rings and Seals.

Part Numbers 6, 10, 14, & 40 furnished only as an Assembly. Part Numbers 13, 13A, 13B, 13C, 16B, and 38 applicable to size 20 Motors only.

PART NO	O'RING SIZES (CROSS SECTION x I.D. x O.D. x DURO \pm 5)			
	H-1211		H-2011	
1	1/8 x 3-5/8	x 3-7/8 90	1/8 x 4-7/8	x 5-1/8 90
12	1/8 x 6-3/4	x 7 90	1/8 x 7-1/2	x 7-3/4 90
19	1/8 x 2-3/4	x 3 90	1/8 x 2-3/4	x 3 90
27	1/8 x 5	x 5-1/4 90	1/8 x 6-1/4	x 6-1/2 90
33	1/8 x 1-3/8	x 1-5/8 90	1/8 x 1-3/8	x 1-5/8 90

THE OILGEAR COMPANY